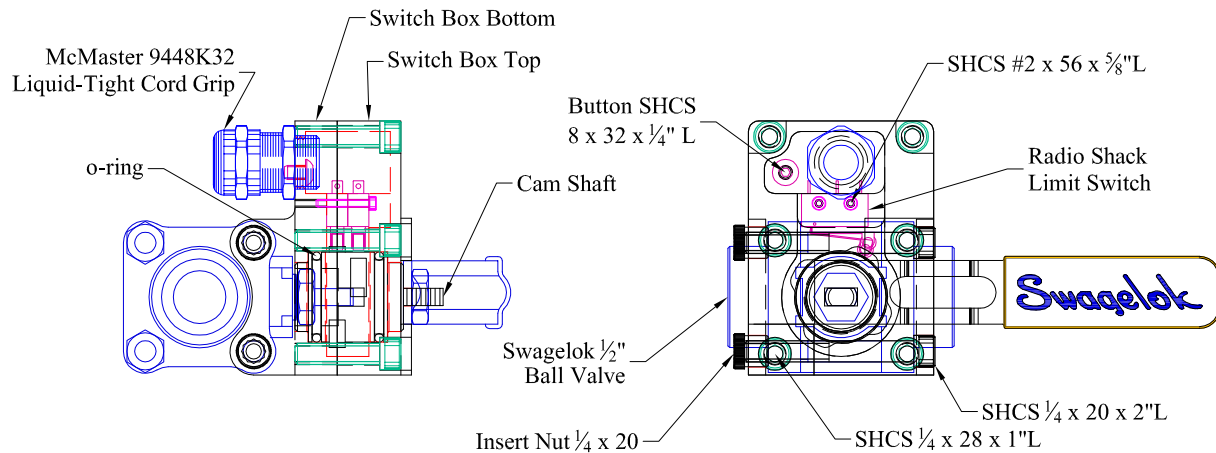


Cushman Engineering, INC,

1138E 1050N, Ossian, IN 46777, Mobile: 260 750 4928, Hard Line: 260 622 7582
Email: tom@cusheng.com on the web: www.cusheng.com

1/2" Safety Cutoff Ball Valve SCV5 2 SPDT:



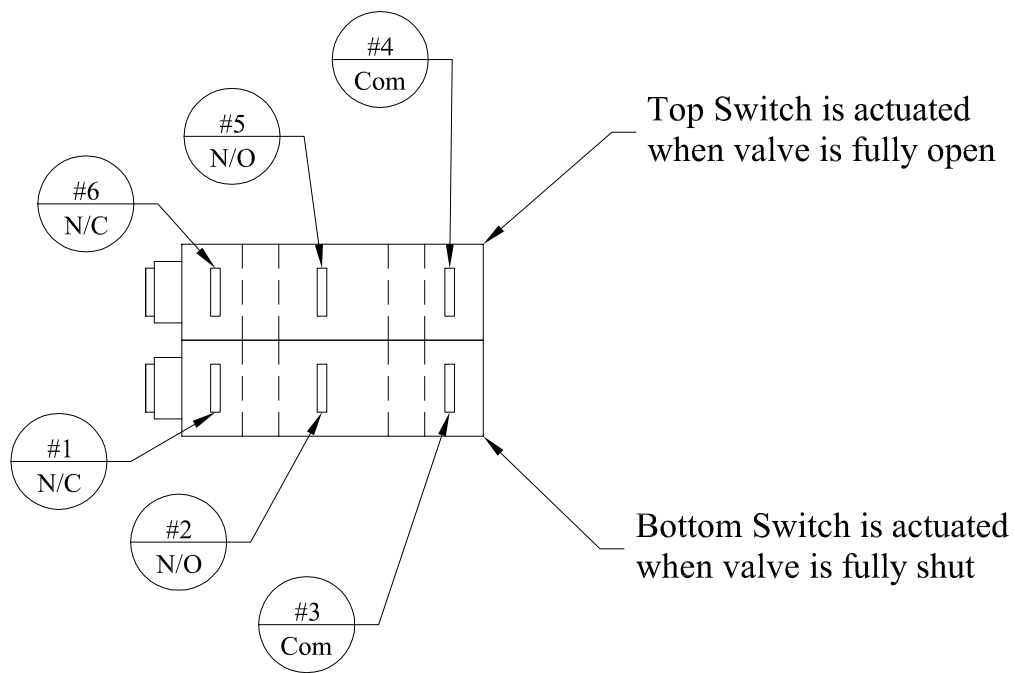
© Tom Cushman 2017

The SCV5 is a high performance 1/2" Ø full port ball valve coupled to a limit switch that ignores rugged use including the splash of the chemicals that are commonly found on a polyurethane foam pourline. When properly installed in a TDI system upstream of the injection nozzle and properly connect to the foam machine control circuit it will effectively isolate the injection nozzle when the foam machine is not producing foam and prevent pump dead head at foam machine start-up.

Safety Cutoff Valve (SCV5):

- Based on a Swagelok three-piece 60 series ball valve with our custom designed armored limit switch.
- Working pressure is 2,200 psi. Full port design.
- The limit switch housing is machined from billet 6061 aluminum.
- The cam shaft connecting the handle to the valve is 4140 steel.
- The shaft and housing form a sealed mechanism around the switch and cam. The cam shaft is sealed with EPDM O-rings and the two halves of the housing are sealed with RTV Silicone.
- Supplied with 5 feet 20/7 AWG, .32" OD, 600 VAC cable which can be connected to the customer's control system.
- The limit switch box is equipped with 2 SPDT mini switches. One SPDT switch is actuated when the valve is fully open, the other SPDT switch is actuated when the valve is fully shut.

Warranty: Cushman Engineering, INC. products are warranted for a period of 90 days from the date of receipt of the products. This warranty covers defects in workmanship and materials only. There are no other warranties expressed or implied.



DWG#:	CUSHMAN ENGINEERING INC.	Wire number and switch pole diagram	
Assembly:			
SCV5 0.5		Drawn by: T. CUSHMAN	